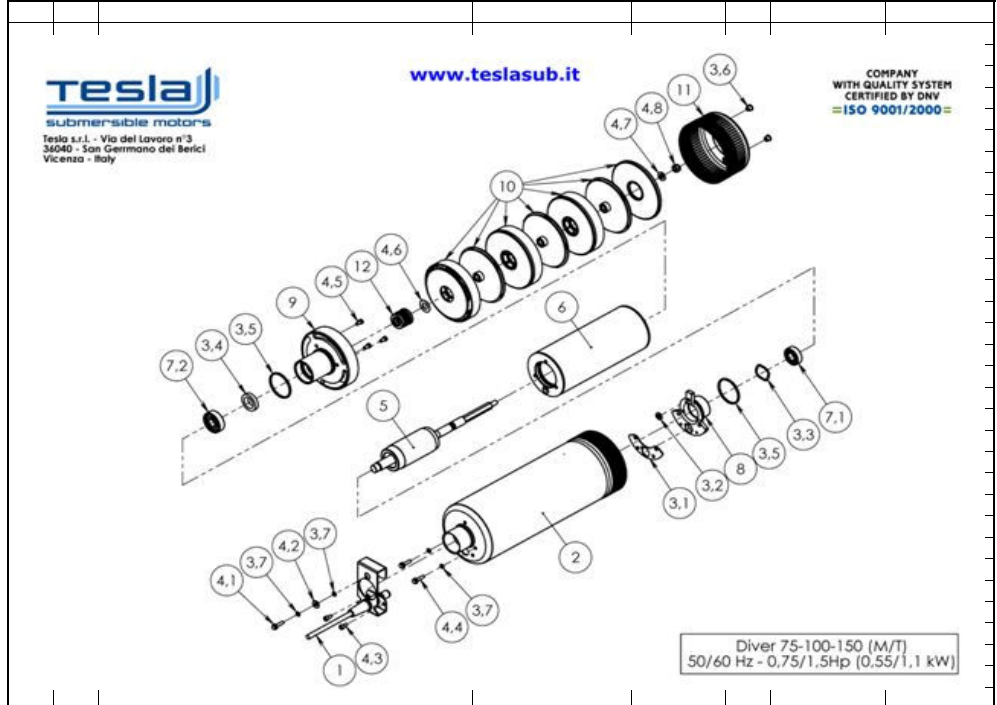


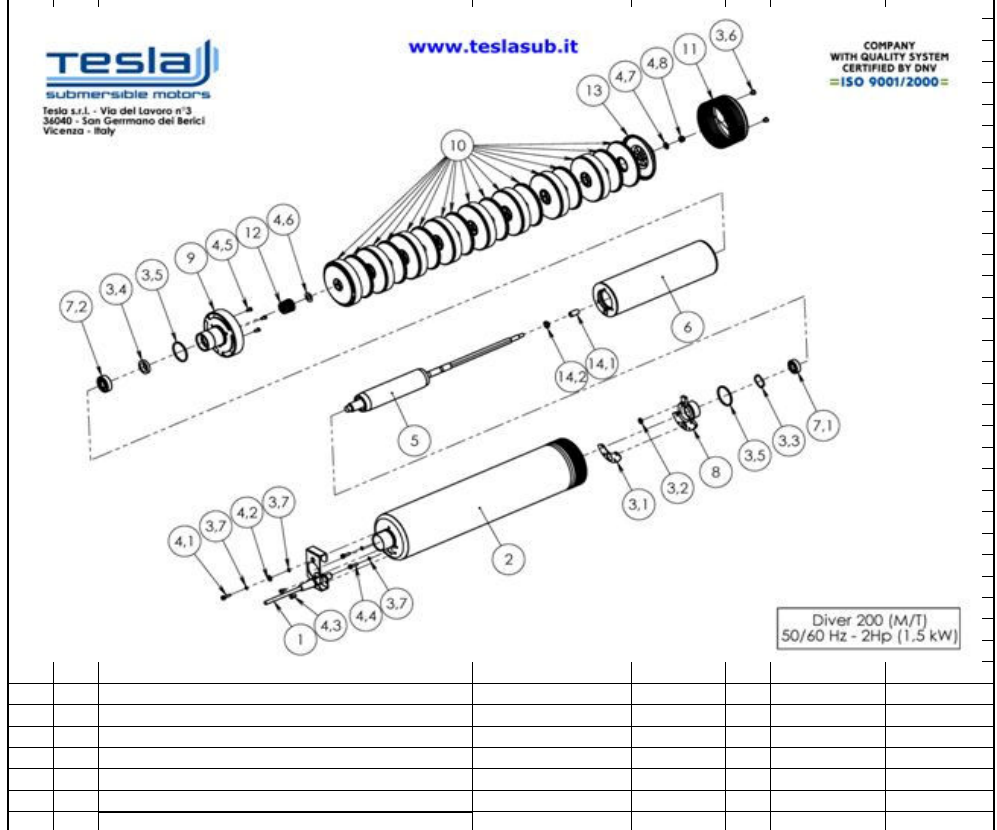
SPARE PARTS PRICE LIST TESLA PUMPS April 2009

MODEL DIVER 75 - 100 - 150						
POS.	DESCRIPTION	MODEL	VOLTAGE	PH	CODE	LIST PRICE
1	CONNECTOR WITH CABLE 10m H07 RNF	SAME			TES-5000701	184.00
2	CASING	DIVER 75			TES-2038261	168.00
		DIVER 100			TES-2038281	184.00
		DIVER 150			TES-2038301	195.00
3	SEALS KIT	SAME			TES-5020300	11.00
	3.1 BRACKET SEAL					
	3.2 UPPER BRACKET O-RING					
	3.3 HELASTIC RING					
	3.4 LIP SEAL					
	3.5 LOWER BRACKET O-RING					
	3.6 TAPS (2 PZ)					
	3.7 FIBER WASHER (4PZ)					
4	SCREWS KIT	SAME			TES-5020600	16.00
	4.1 CONNECTOR-CABLE PLATE SCREW					
	4.2 WASHER					
	4.3 CONNECTOR FIXING SCREW (2PZ)					
	4.4 UPPER BRACKET SCREWS (2PZ)					
	4.5 LOWER BRACKET SCREWS (3PZ)					
	4.6 MECHANICAL SEAL WASHER					
	4.7 WASHER					
5	SHAFT WITH ROTOR with bearings	DIVER 75	230V-50HZ	1	TES-2018510	162.00
		DIVER 100	230V-50HZ	1	TES-2018530	195.00
		DIVER 150	230V-50HZ	1	TES-2018550	216.00
		DIVER 75	400V-50HZ	3	TES-2018515	151.00
		DIVER 100	400V-50HZ	3	TES-2018535	184.00
		DIVER 150	400V-50HZ	3	TES-2018555	206.00
		DIVER 75	230V-50HZ	1	TES-1607500	622.00
		DIVER 100	230V-50HZ	1	TES-1610300	681.00
		DIVER 150	230V-50HZ	1	TES-1615300	757.00
6	STATOR	DIVER 75	400V-50HZ	3	TES-1607700	617.00
		DIVER 100	400V-50HZ	3	TES-1610700	687.00
		DIVER 150	400V-50HZ	3	TES-1615700	757.00
		DIVER 75	400V-50HZ	3	TES-1607700	617.00
		DIVER 100	400V-50HZ	3	TES-1610700	687.00
		DIVER 150	400V-50HZ	3	TES-1615700	757.00
7	BALL BEARING KIT	SAME			TES-5020200	32.00
	7.1 UPPER BEARING					
	7.2 LOWER BEARING					
8	UPPER BRACKET	SAME			TES-2138480	87.00
9	LOWER BRACKET	SAME			TES-5020650	216.00
10	HYDRAULIC KIT (IMPELLER-DIFFUSER)	DIVER 75			TES-5021440	114.00
		DIVER 100			TES-5021460	151.00
		DIVER 150			TES-5021480	216.00
11	SUCTION SCREEN	SAME			TES-2058700	49.00
12	MECHANICAL SEAL	SAME			TES-3068500	87.00



SPARE PARTS PRICE LIST TESLA PUMPS April 2009

MODEL DIVER 200						
POS.	DESCRIPTION	MODEL	VOLTAGE	PH	CODE	LIST PRICE
1	CONNECTOR WITH CABLE 10m H07 RNF	SAME			TES-5000701	184.00
2	CASING	DIVER 200			TES-2038321	178.00
	SEALS KIT	SAME			TES-5020300	11.00
3	3.1 BRACKET SEAL					
	3.2 UPPER BRACKET O-RING					
	3.3 HELASTIC RING					
	3.4 LIP SEAL					
	3.5 LOWER BRACKET O-RING					
	3.6 TAPS (2 PZ)					
	3.7 FIBER WASHER (4PZ)					
4	SCREWS KIT	SAME			TES-5020600	16.00
	4.1 CONNECTOR-CABLE PLATE SCREW					
	4.2 WASHER					
	4.3 CONNECTOR FIXING SCREW (2PZ)					
	4.4 UPPER BRACKET SCREWS (2PZ)					
	4.5 LOWER BRACKET SCREWS (3PZ)					
	4.6 MECHANICAL SEAL WASHER					
	4.7 WASHER					
4.8 SELF LOCKING NUT						
5	SHAFT WITH ROTOR with bearings	DIVER 200	230V-50HZ	1	TES-2018570	249.00
		DIVER 200	400V-50HZ	3	TES-2018575	249.00
		DIVER 200	230V-50HZ	1	TES-1620300	844.00
6	STATOR	DIVER 200	400V-50HZ	3	TES-1620700	822.00
		DIVER 200	400V-50HZ	3	TES-1620700	822.00
7	BALL BEARING KIT	SAME			TES-5020200	32.00
	7.1 UPPER BEARING					
	7.2 LOWER BEARING					
8	UPPER BRACKET	SAME			TES-2138480	87.00
9	LOWER BRACKET	SAME			TES-5020650	216.00
10	HYDRAULIC KIT (IMPELLER-DIFFUSER)	DIVER 200			TES-5021500	281.00
11	SUCTION SCREEN	SAME			TES-2058700	49.00
12	MECHANICAL SEAL	SAME			TES-3068500	87.00
13	SLEEVE BRACKET	SAME			TES-2138550	65.00
14	BUSH KIT	SAME			TES-5020100	32.00
	14.1 BUSH					
	14.2 BUSH RING					



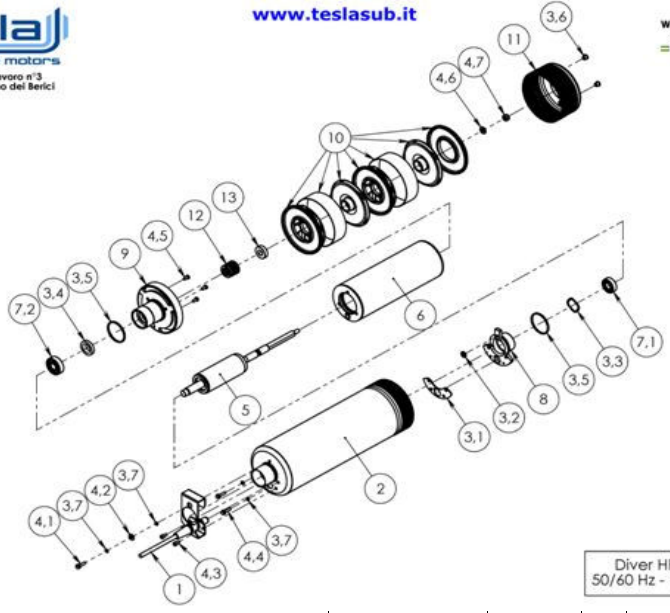
SPARE PARTS PRICE LIST TESLA PUMPS April 2009

MODEL DIVER HF 100						
POS.	DESCRIPTION	MODEL	VOLTAGE	PH	CODE	LIST PRICE
1	CONNECTOR WITH CABLE 10m H07 RNF	SAME			TES-5000701	184.00
2	CASING	DIVER HF 100			TES-2038341	184.00
	SEALS KIT	SAME			TES-5020300	11.00
3	3.1 BRACKET SEAL					
	3.2 UPPER BRACKET O-RING					
	3.3 HELASTIC RING					
	3.4 LIP SEAL					
	3.5 LOWER BRACKET O-RING					
	3.6 TAPS (2 PZ)					
	3.7 FIBER WASHER (4PZ)					
4	SCREWS KIT	SAME			TES-5020500	16.00
	4.1 CONNECTOR-CABLE PLATE SCREW					
	4.2 WASHER					
	4.3 CONNECTOR FIXING SCREW (2PZ)					
	4.4 UPPER BRACKET SCREWS (2PZ)					
	4.5 LOWER BRACKET SCREWS (3PZ)					
	4.6 WASHER					
5	SHAFT WITH ROTOR with bearings	DIVER HF 100	230V-50HZ	1	TES-2018630	195.00
		DIVER HF 100	400V-50HZ	3	TES-2018635	184.00
6	STATOR	DIVER HF 100	230V-50HZ	1	TES-1710100	671.00
		DIVER HF 100	400V-50HZ	3	TES-1610700	687.00
7	BALL BEARING KIT	SAME			TES-5020200	32.00
	7.1 UPPER BEARING					
	7.2 LOWER BEARING					
8	UPPER BRACKET	SAME			TES-2138480	87.00
9	LOWER BRACKET	SAME			TES-5020651	216.00
10	HYDRAULIC KIT (IMPELLER-DIFFUSER)	DIVER HF 100			TES-5021520	206.00
11	SUCTION SCREEN	SAME			TES-2058710	43.00
12	MECHANICAL SEAL	SAME			TES-3068600	87.00
13	SEAL SPACER	SAME			TES-3003530	5.00

[www.teslasub.it](http://www.teslasub.it)

COMPANY WITH QUALITY SYSTEM CERTIFIED BY DNV = ISO 9001/2000 =



Diver HF 100 (M/T)  
50/60 Hz - 1Hp (0.75 kW)

SPARE PARTS PRICE LIST TESLA PUMPS April 2009

MODEL DIVER HF 150 - 200						
POS.	DESCRIPTION	MODEL	VOLTAGE	PH	CODE	LIST PRICE
1	CONNECTOR WITH CABLE 10m H07 RNF	SAME			TES-5000701	184.00
2	CASING	DIVER HF 150			TES-2038361	195.00
		DIVER HF 200			TES-2038381	206.00
3	SEALS KIT	SAME			TES-5020300	11.00
	3.1	BRACKET SEAL				
	3.2	UPPER BRACKET O-RING				
	3.3	HELASTIC RING				
	3.4	LIP SEAL				
	3.5	LOWER BRACKET O-RING				
	3.6	TAPS (2 PZ)				
4	SCREWS KIT	SAME			TES-5020500	16.00
	4.1	CONNECTOR-CABLE PLATE SCREW				
	4.2	WASHER				
	4.3	CONNECTOR FIXING SCREW (2PZ)				
	4.4	UPPER BRACKET SCREWS (2PZ)				
	4.5	LOWER BRACKET SCREWS (3PZ)				
	4.6	WASHER				
	4.7	SELF LOCKING NUT				
5	SHAFT WITH ROTOR with bearings	DIVER HF 150	230V-50HZ	1	TES-2018650	216.00
		DIVER HF 200	230V-50HZ	1	TES-2018670	238.00
		DIVER HF 150	400V-50HZ	3	TES-2018655	206.00
		DIVER HF 200	400V-50HZ	3	TES-2018675	238.00
6	STATOR	DIVER HF 150	230V-50HZ	1	TES-1715300	725.00
		DIVER HF 200	230V-50HZ	1	TES-1720300	844.00
		DIVER HF 150	400V-50HZ	3	TES-1615700	757.00
		DIVER HF 200	400V-50HZ	3	TES-1620700	822.00
7	BALL BEARING KIT	SAME			TES-5020200	32.00
	7.1	UPPER BEARING				
	7.2	LOWER BEARING				
8	UPPER BRACKET	SAME			TES-2138480	76.00
9	LOWER BRACKET	SAME			TES-5020651	216.00
10	HYDRAULIC KIT (IMPELLER-DIFFUSER)	DIVER HF 150			TES-5021540	303.00
		DIVER HF 200			TES-5021560	389.00
11	SUCTION SCREEN	SAME			TES-2058710	43.00
12	MECHANICAL SEAL	SAME			TES-3068600	87.00
13	SLEEVE BRACKET	SAME			TES-2138550	65.00
14	BUSH KIT	SAME			TES-5020100	32.00
	14.1	BUSH				
	14.2	BUSH RING				
15	SEAL SPACER	SAME			TES-3003530	5.00

